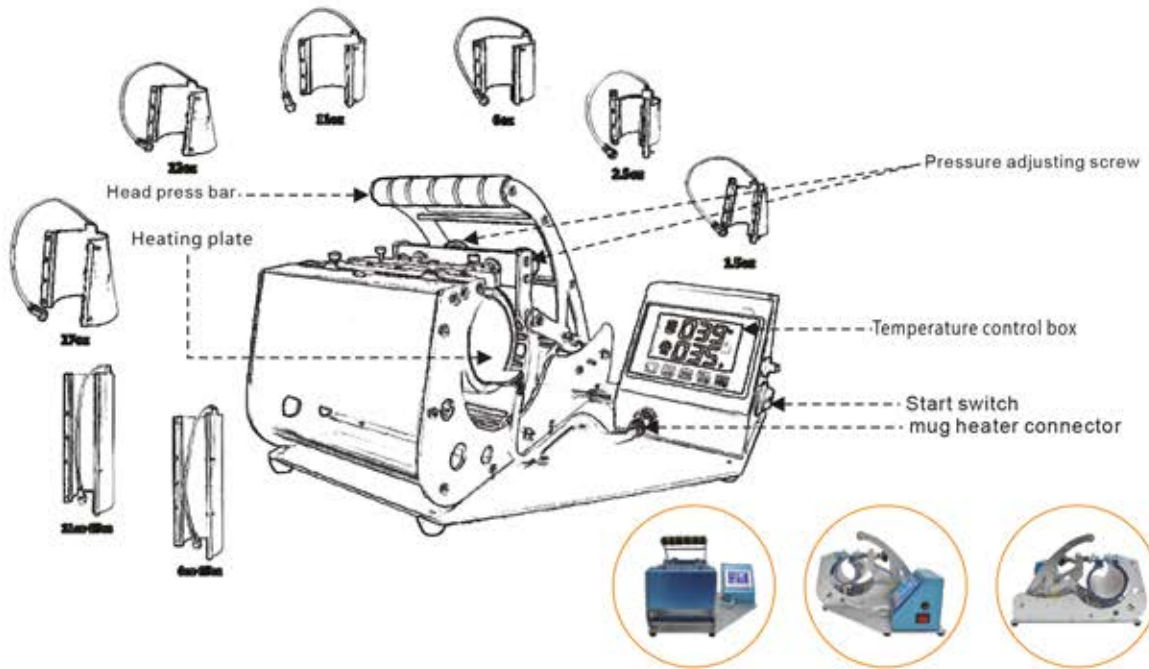
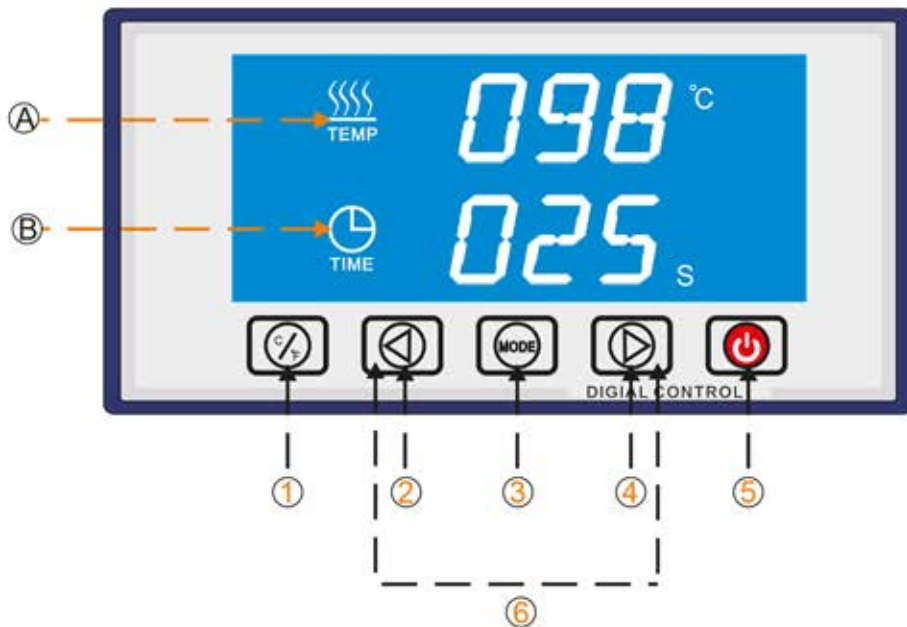


User manual Multi Mag Press 8



Voltage	110v/220v,60HZ/50HZ
Power	320W
Time	0-999sec
Working size	5.5-7.5cm, 7.5-9.5cm for common mugs, 11oz,17oz,1.5oz,2.5oz,6oz-15oz,12oz-15oz for conical mugs,

Temperature	0-280°C/0-536°F
Packing	double carton with foam inside
Packing size/GW	31*35*27.5



①	°C/°F switch button	⑤	Power
②	Function(-)	⑥	Reset key/ Factory settings
③	Setting button	Ⓐ	Temperature
④	Function(+)	Ⓑ	Time

- Microcomputer intelligent LED touch screen temperature / time integrated control, high accuracy, automatic temperature tracking function (temperature accuracy to $\pm 0.5^{\circ}\text{C}$).
- Special ultra-precision line pipe technology adopted, effectively ensure the uniformity and stability of heating plate temperature.
- Electronic time control, process completed with alarm indi
- $^{\circ}\text{C}$ and $^{\circ}\text{F}$ exchange flexibly

Operation :

1.Connect the power cable. Please turn on the Power Switch, and press the power button. Then the controller goes into the working condition. (Please ensure the reliable protecting ground wire is connected with the machine)

2.Set temperature (usually 180-200 $^{\circ}\text{C}$)

◆ temperature setting:press the setting button once while the temperature mark will continue flash,press “+” or “-” to set the required temperature, and then press the setting button twice back to confirm the setting.

3.Set the time

◆ press the setting button once while the time mark will continue flash,press “+” or “-” to set the required time, and then press the setting button twice to confirm the setting.

4.When the temperature reaches to the setting data, Insert mug with paper attached.

5.Once time is up a sound will alert.

6.Tear off transfer paper immediatly and spray mug with water. Do not submurse in water.

Successful transfer requires the right time, temperature and pressure for different transfer materials. Please make sample before mass production.



