

Vizuell AS



DTF Curing Oven User Manual



Vizuell AS

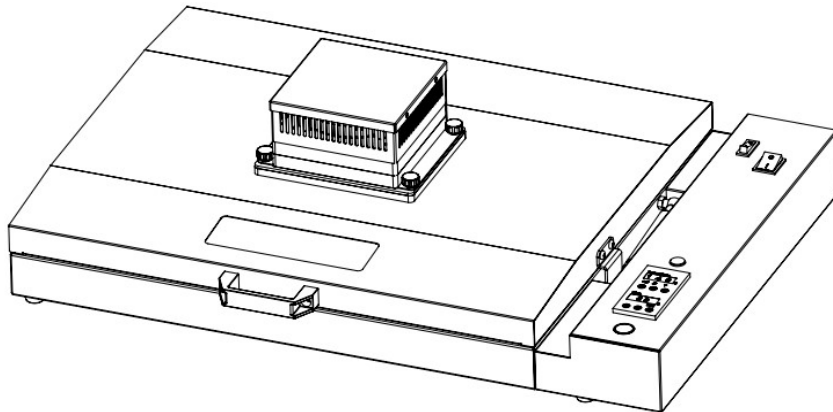
Jomfrulandsveien 2 - 3530 Røyse - telefon 32 16 16 20 - post@vizuell.no - vizuell.no

Safety Instructions

**When using your Oven,
basic precautions should always be followed,
including the following:**

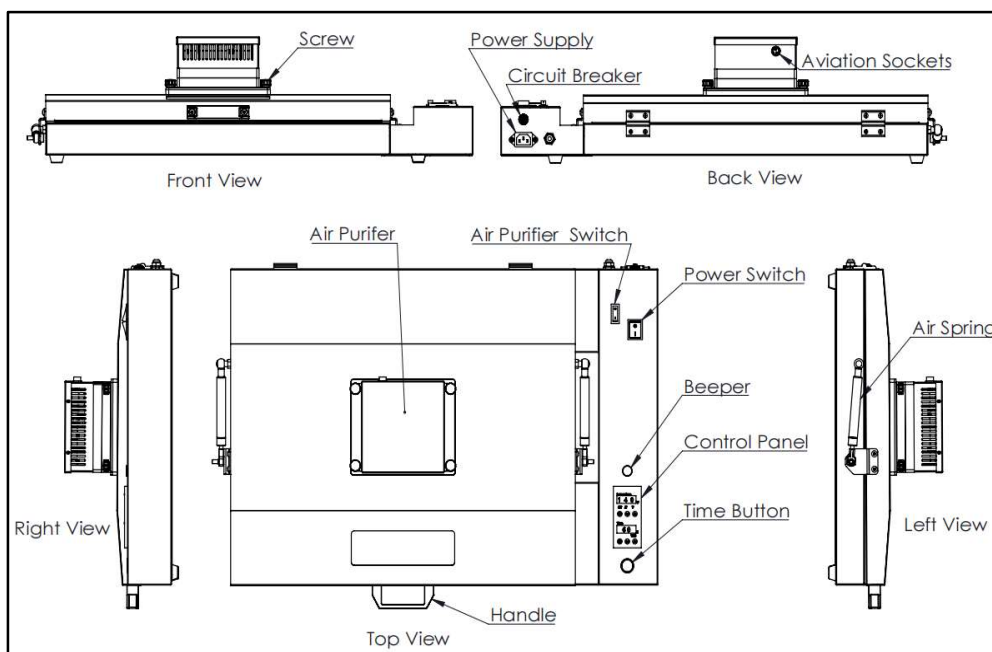
1. Read all instructions.
2. Use Oven only for its intended use.
3. To reduce the risk of electric shock, do not immerse the Oven in water or other liquids.
4. Never pull cord to disconnect from outlet, instead grasp plug and pull to disconnect.
5. Do not allow cord to touch hot surfaces, allow Oven to cool completely before storing.
6. Do not operate Oven with a damaged cord or if the equipment has been dropped or damaged. To reduce the risk of electric shock, do not disassemble or attempt to repair the Oven. Take it to a qualified service person for examination and repair. Incorrect assembly or repair could increase the risk of fire, electric shock, or injury to persons when the equipment is used.
7. This appliance is not intended for use by persons (including children) with reduced physical, sensory or mental capabilities, or lack of experience and knowledge, unless they have been given supervision or instruction concerning use of the appliance by a person responsible for their safety.
8. Close supervision is necessary for any Oven being used by or near children. Do not leave equipment unattended while connected.
9. Burns can occur when touching hot metal parts.
10. To reduce the likelihood of circuit overload, do not operate other high voltage equipment on the same circuit.
11. If an extension cord is necessary, then a 16 amperage rated cord should be used. Cords rated for less amperage may overheat. Care should be taken to arrange the cord so that it cannot be pulled or tripped over.

Technical Parameters



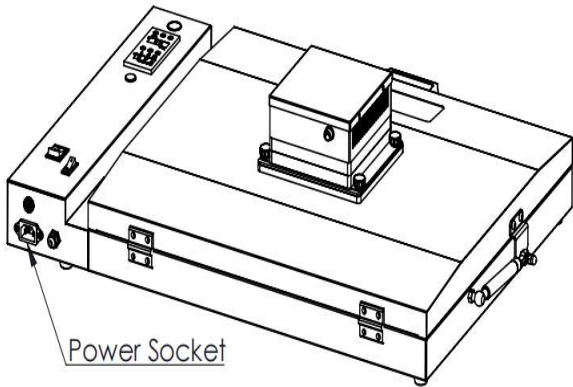
Model:	Phoniex Air 16x20 DTF Curing Oven
Voltage:	220V/110V
Power:	1000W
Temperature Range:	0~150℃/300℉
Machine Size:	L77*W53.4*H*19.6CM
Packing Size:	81.5*59*25CM
Net /Gross Weight:	13.8KG/17KG
Packing:	Carton
Warranty:	12 months.

Machine View

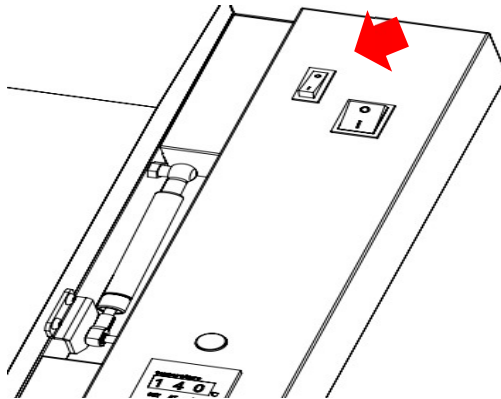


Operation Instructions

1. Connect power.

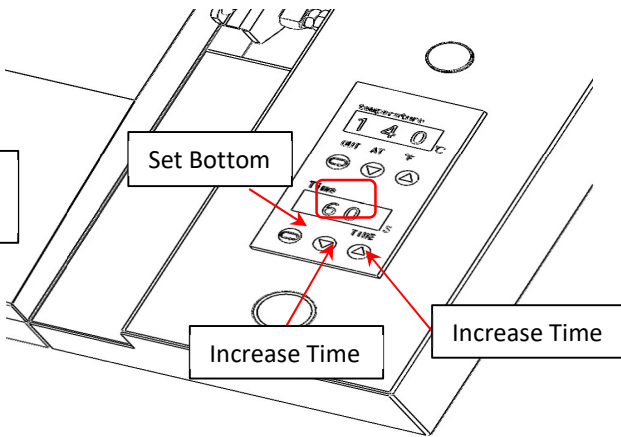
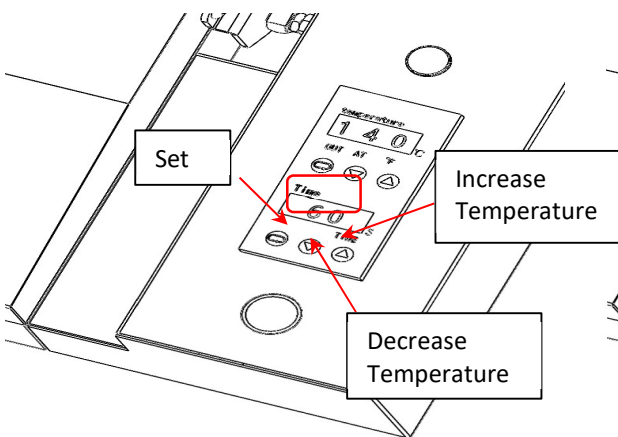


2. Switch on the machine.



3. Adjust temperature.
(suggest 140°C/284°F)
Press the setting button to enter temperature setting mode;
Press the up button or down button to set to the desired temperature;
Press the set button again to exit the temperature setting mode.

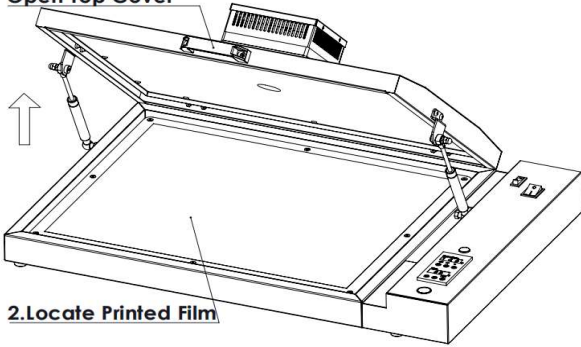
4. Adjust time.
(suggest 60seconds)
Press the setting button to enter time setting mode;
Press the up button or down button to set to the desired time;
Press the set button again to exit the time setting mode.



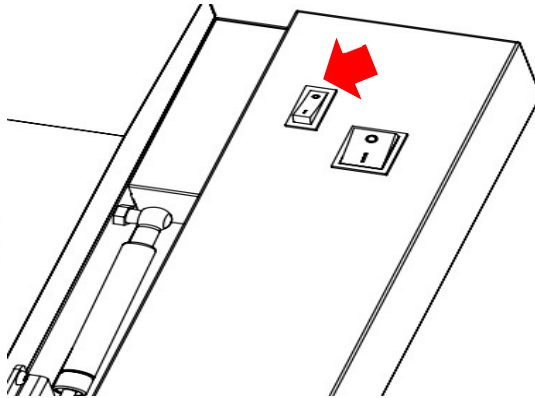
5. Place printed film (power adhesive) into the oven tray. Please note to locate printed film to the center of heater. (Film Size $\leq 40 \times 50 \text{CM}$)

When curing powder, turn on Air Purifier Switch. When not in use, turn off Air Purifier Switch to ensure max filter life and reduce electricity consumption.

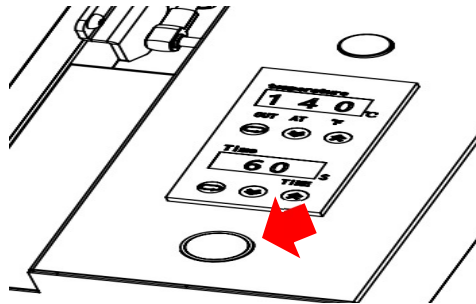
1. Take Handle and Open Top Cover



2. Locate Printed Film



7. Press start button, timer starts to count down. Once timer has reached 0, an alarm will sound. Remove film and press Start button again to end the alarm.



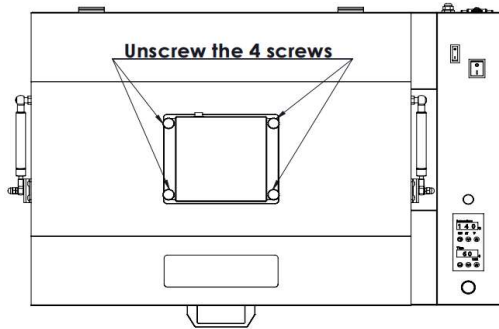
Change Filter Instructions

1. Unscrew the 4 screws, remove Air Purifier

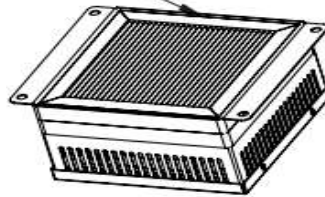
Filter Change Frequency:

i. HEPA Filter (sku : PX-AIR-1620-HEPA) every 3 months

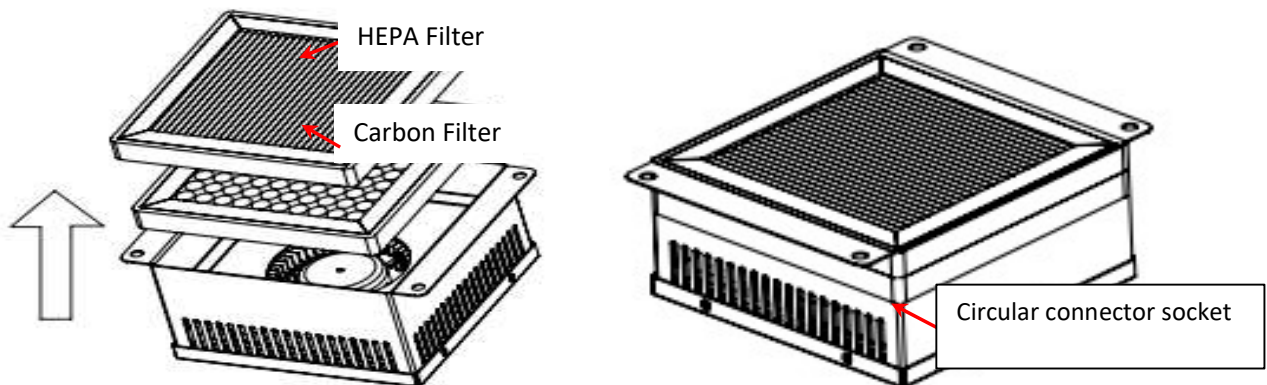
ii. Carbon Filter (sku : PX-AIR-1620-CARBON) - Every 6-9 months, depending on use



Remove air purifier



HEPA Filter is the top filter in the Air Purifier Assembly. Please replace the appropriate filter according to the graphic below, and change into new filter nets



3. After changed filters, located the air purifier, and tighten the 4 pcs screws, Special notes: the Aviation sockets of air purifier must be toward the back of oven!

